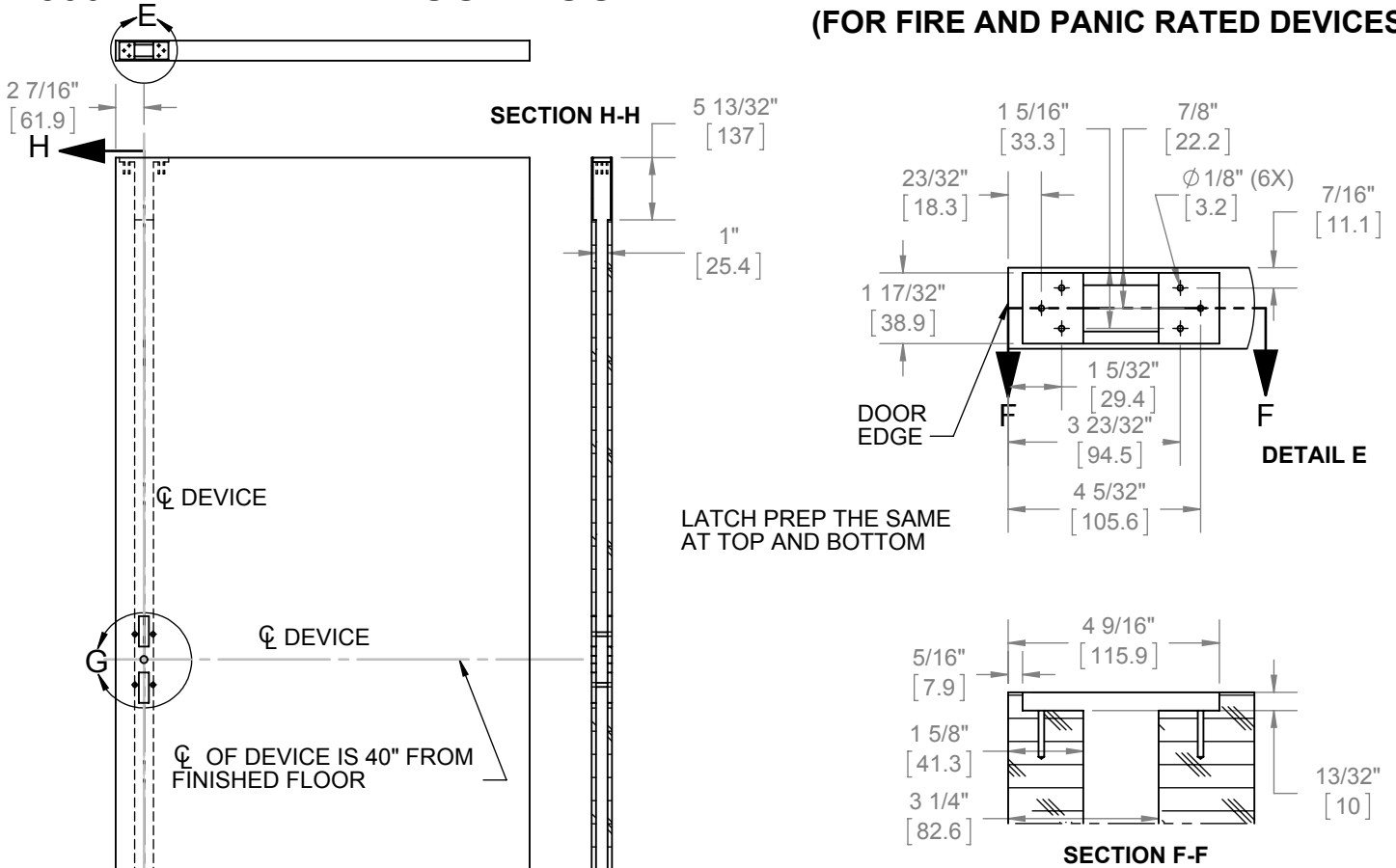


4500 CVR DEVICE WOOD DOOR AND METAL FRAME PREP TEMPLATE (FOR FIRE AND PANIC RATED DEVICES)



**FOR CLB DEVICES (CVR - LESS BOTTOM ROD)
DO NOT PREP THE BOTTOM CHANNEL
INCLUDING THE BOTTOM LATCH PREP.
DO NOT MAKE THIS BOTTOM RECTANGULAR
CUTOUT. DO NOT PREP FOR THE BOTTOM
STRIKE.**

5/8" CLEARANCE HOLE FOR BE & CE TRIM
NOT REQUIRED FOR DUMMY TRIM OR NO TRIM
FOR NL TRIM SEE INSTRUCTIONS/TEMPLATE

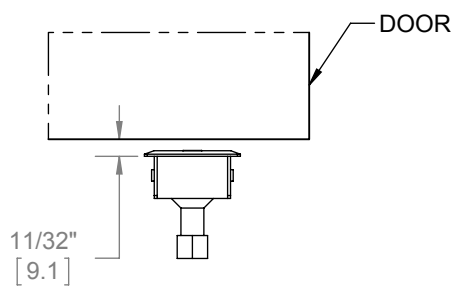
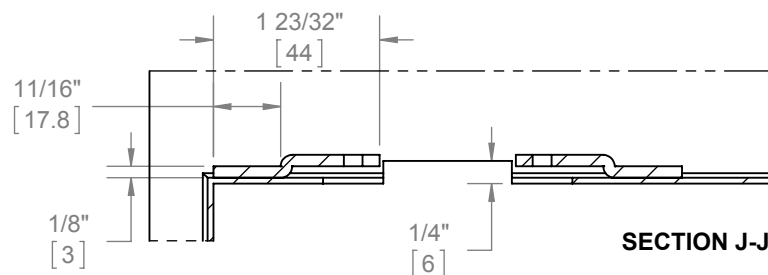
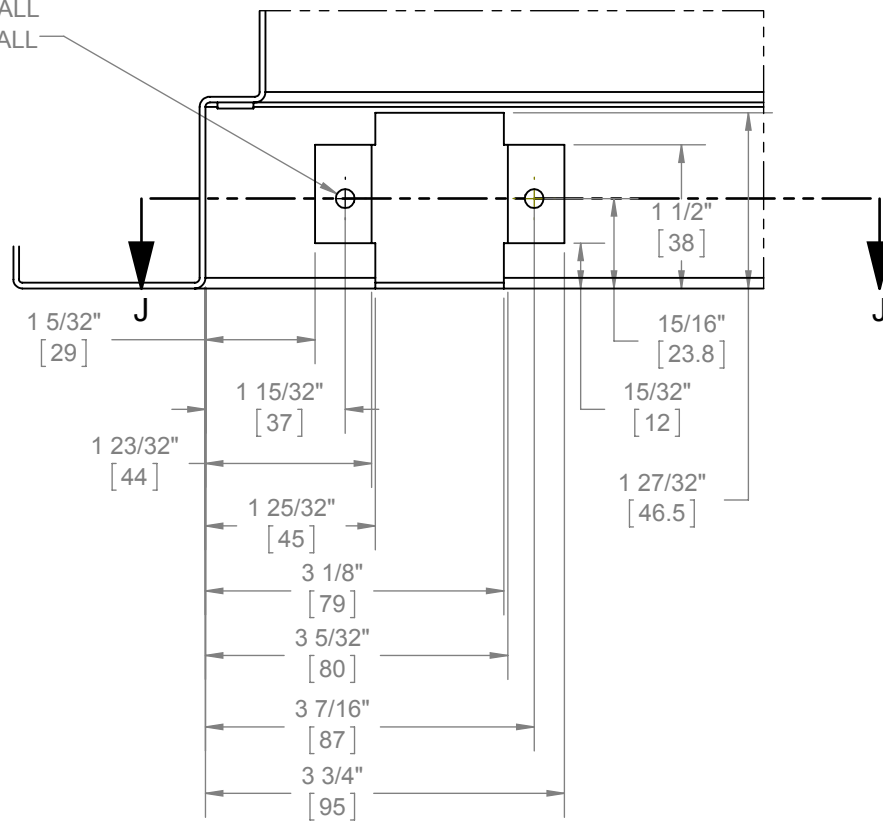
(4X)

THROUGH BOLTING WITHOUT TRIM:
DRILL 5/16" CLEARANCE HOLES ON PUSH SIDE, 3/8" HOLES ON PULL SIDE
USING TRIM:
DRILL 5/16" CLEARANCE HOLES ON PUSH SIDE, 1/2" HOLES ON PULL SIDE
DO NOT SURFACE MOUNT EXIT DEVICE



4500 CVR DEVICE WOOD DOOR AND METAL FRAME PREP TEMPLATE (FOR FIRE AND PANIC RATED DEVICES)

Ø 5/32" [4.2] THRU ALL
M5X0.8 - 6H THRU ALL
(2X)



BOTTOM STRIKE IS PLACED INTO
FINISHED FLOOR

